

DS-2CV2146G0-IDW

4 MP EXIR Fixed Dome Network Camera



- High quality imaging with 4 MP resolution
- Realizing Wi-Fi connection and easy installation
- Provides real-time security via built-in two-way audio
- Efficient H.265 compression technology
- EXIR 2.0, advanced infrared technology with long IR distance
- Water and dust resistant (IP66)
- Support micro SD/SDHC/SDXC card, up to 256 GB
- False alarm reduction through human and vehicle target classification based on deep learning



▪ Specification

Camera	
Image Sensor	1/2.7" Progressive Scan CMOS
Min. Illumination	0.005 Lux @ (F1.6, AGC ON)
Shutter Speed	1/3 s to 1/100,000 s
P/N	P/N
Wide Dynamic Range	120 dB
Day & Night	ICR Cut
Angle Adjustment	Pan: 0° to 355°, tilt: 0° to 75°, rotate: 0° to 355°
Lens	
Lens Type & FOV	2.8 mm, horizontal FOV 101°, vertical FOV 55°, diagonal FOV 119° 4 mm, horizontal FOV 82°, vertical FOV 44°, diagonal FOV 97°
Aperture	F1.6
Lens Mount	M12
Illuminator	
Smart Supplement Light	Yes
IR Range	Up to 30 m
Wavelength	850 nm
Video	
Max. Resolution	2560 × 1440
Main Stream	50Hz: 25 fps (2560 × 1440, 1920 × 1080, 1280 × 720) 60Hz: 30 fps (2560 × 1440, 1920 × 1080, 1280 × 720)
Sub Stream	50Hz: 25 fps (640 × 360) 60Hz: 30 fps (640 × 360)
Video Compression	Main Stream: H.265/H.264 Sub-Stream: H.265/H.264
Video Bit Rate	32 Kbps to 8 Mbps
H.264 Type	BaseLine Profile/Main Profile/High Profile
H.265 Type	Main Profile
Bit Rate Control	CBR/VBR
Audio	
Environment Noise Filtering	Yes
Audio Sampling Rate	8 kHz/16 kHz
Audio Compression	G.711ulaw/G.711alaw/G.722.1/G.726/MP2L2/PCM
Audio Bit Rate	64Kbps(G.711 ulaw)/64Kbps(G.711 alaw)/16Kbps(G.722.1)/16Kbps(G.726)/32 to 160Kbps(MP2L2)
Network	
Simultaneous Live View	Up to 6 channels
API	ISAPI, SDK
Protocols	TCP/IP, ICMP, DHCP, DNS, DDNS, HTTP, HTTPS, RTP, RTSP, NTP, UPnP, IGMP, IPv6, UDP, QoS, Bonjour
User/Host	Up to 32 users 3 levels: Administrator, Operator and User
Security	Password protection, complicated password, HTTPS encryption, IP address filter, Security Audit Log, basic and digest authentication for HTTP/HTTPS, TLS 1.2

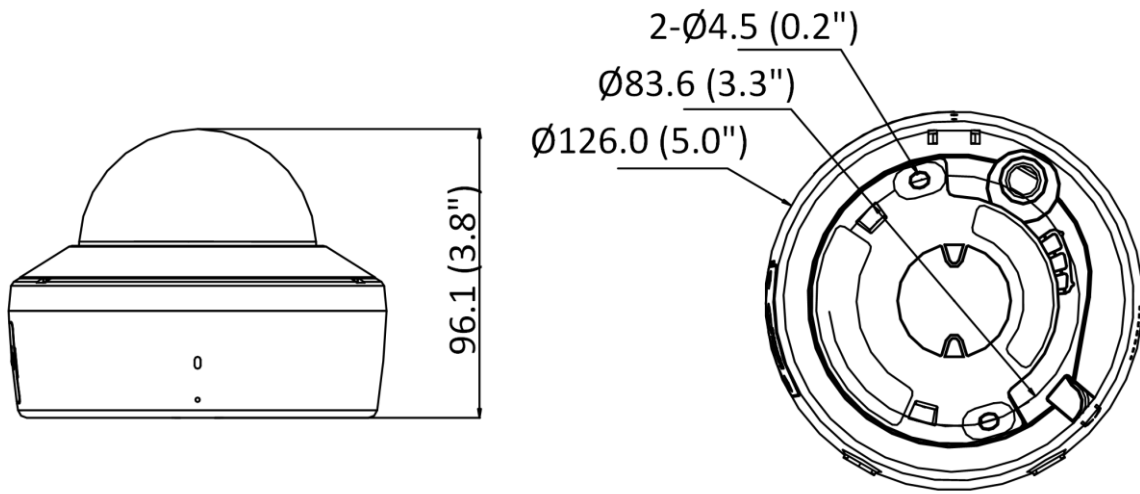
Network Storage	MicroSD/SDHC/SDXC card (256 GB) local storage, and NAS(NFS, SMB/CIFS), auto network replenishment (ANR)
Client	Wired network: Hik-Connect, iVMS-4200 Wi-Fi: iVMS-4200
Web Browser	Plug-in required live view: IE 10, IE 11 Plug-in free live view: Chrome 57.0+, Firefox 52.0+ Local service: Chrome 57.0+, Firefox 52.0+
Alarm Trigger	Motion detection, exception
Image	
Day/Night Switch	Day, Night, Auto, Schedule
Image Enhancement	BLC, HLC, 3D DNR
Image Settings	mirror, saturation, brightness, contrast, sharpness, gain, white balance adjustable by client software or web browser
SNR	≥ 52 dB
Interface	
On-board Storage	Built-in micro SD/SDHC/SDXC slot, up to 256 GB
Hardware Reset	Yes
Communication Interface	1 RJ45 10M/100M self-adaptive Ethernet port
Smart Feature-Set	
Basic Event	Motion detection, audible alarm output, exception (network disconnected, IP address conflict, illegal login, HDD full, HDD error)
Intelligent (Deep Learning Algorithm)	
Premier Protection	Line crossing detection, intrusion detection, region entrance detection, region exiting detection
General	
Linkage Method	Upload to memory card/NAS, notify surveillance center, trigger record, trigger capture, audible warning
Firmware Version	V5.5.136
Web Client Language	English
General Function	Anti-flicker, heartbeat, password reset via e-mail, pixel counter
Software Reset	Reset via web browser and client software
Storage Conditions	-30 °C to 60 °C (-22 °F to 140 °F). Humidity 95% or less (non-condensing)
Startup and Operating Conditions	-30 °C to 60 °C (-22 °F to 140 °F). Humidity 95% or less (non-condensing)
Power Supply	12 VDC ± 25%
Power Consumption and Current	12 VDC, 0.6 A, max. 7 W
Power Interface	Ø5.5 mm coaxial power plug
Material	Polycarbonate cover, polycarbonate body
Camera Dimension	Ø126.0 × 96.1 mm (Ø5.0" × 3.8")
Package Dimension	170 × 170 × 150 mm (7.0" × 7.0" × 5.9")
Camera Weight	Approx. 590 g (1.3 lb.)
With Package Weight	Approx. 989 g (2.2 lb.)

Approval	
EMC	FCC SDoC (47 CFR Part 15, Subpart B); CE-EMC (EN 55032: 2015, EN 61000-3-2: 2014, EN 61000-3-3: 2013, EN 50130-4: 2011 +A1: 2014); RCM (AS/NZS CISPR 32: 2015); IC VoC (ICES-003: Issue 6, 2016); KC (KN 32: 2015, KN 35: 2015)
RF	FCC ID (FCC Part 15.247(BT or 2.4G)); IC ID (RSS-247(BT or 2.4G)); CE-RED (EN 301489-1 V2.1.1(BT or 2.4G); EN 301489-17 V3.1.1(BT or 2.4G); EN 300328 V2.1.1(BT or 2.4G); EN 62311:2008(BT or 2.4G)); WPC (EN 301 489-1 V2.1.1(BT or 2.4G); EN 301 489-17 V3.1.1(BT or 2.4G); EN 300 328 V2.1.1(BT or 2.4G); EN 62311:2008(BT or 2.4G); EN 55032:2015; EN 61000-3-2:2014; EN 61000-3-3:2013; EN 50130-4:2011 +A1:2014); KC (KN 32:2015; KN 35: 2015; KN 301489-1; KN 301489-17); ICASA (EN 301 489-1 V2.1.1(BT or 2.4G); EN 301 489-17 V3.1.1(BT or 2.4G); EN 300 328 V2.1.1(BT or 2.4G); EN 62311:2008(BT or 2.4G); EN 55032:2015; EN 61000-3-2:2014; EN 61000-3-3:2013; EN 50130-4:2011 +A1:2014; EN 60950-1:2005 + Am 1:2009 + Am 2:2013)
Safety	UL (UL 60950-1); CB (IEC 60950-1:2005 + Am 1:2009 + Am 2:2013, IEC 62368-1:2014); CE-LVD (EN 60950-1:2005 + Am 1:2009 + Am 2:2013, IEC 62368-1:2014); BIS (IS 13252(Part 1):2010+A1:2013+A2:2015); LOA (IEC/EN 60950-1)
Environment	CE-RoHS (2011/65/EU) WEEE (2012/19/EU) Reach (Regulation (EC) No 1907/2006)
Protection	IP66 (IEC 60529-2013)
Wi-Fi	
Encryption Mode	64/128-bit WEP, WPA-EAP/WPA2-EAP, WPA-PSK/WPA2-PSK
Wi-Fi Protocol	802.11b: CCK, QPSK, BPSK 802.11g/n: OFDM
Frequency Range	2.412 GHz - 2.472 GHz
Channel Bandwidth	20/40MHz
Modulation	802.11b: CCK, QPSK, BPSK 802.11g/n: OFDM
Wireless Range	Up to 120 m (The performance varies based on actual environment)
Transfer Rate	300 Mbps

▪ Available Model

DS-2CV2146G0-IDW (2.8/4 mm)

▪ **Dimension**



Unit: mm (inch)

▪ **Accessory**

▪ **Optional**

DS-1271ZJ-120 Pendant Mount	DS-1272ZJ-120B Wall Mount	DS-1272ZJ-120 Wall Mount



Distributed by

**HIKVISION®****Headquarters**

No.555 Qianmo Road, Binjiang District,
Hangzhou 310051, China
T +86-571-8807-5998
overseasbusiness@hikvision.com

Hikvision USA

T +1-909-895-0400
sales.usa@hikvision.com

Hikvision Australia

T +61-2-8599-4233
salesau@hikvision.com

Hikvision India

T +91-22-28469900
sales@pramahikvision.com

Hikvision Canada

T +1-866-200-6690
sales.canada@hikvision.com

Hikvision Thailand

T +662-275-9949
sales.thailand@hikvision.com

Hikvision Europe

T +31-23-5542770
sales.eu@hikvision.com

Hikvision Italy

T +39-0438-6902
info.it@hikvision.com

Hikvision Brazil

T +55 11 3318-0050
Latam.support@hikvision.com

Hikvision Turkey

T +90 (216)521 7070- 7074
sales.tr@hikvision.com

Hikvision Malaysia

T +601-7652-2413
sales.my@hikvision.com

Hikvision UK & Ireland

T +01628-902140
sales.uk@hikvision.com

Hikvision South Africa

Tel: +27 (10) 0351172
sale.africa@hikvision.com

Hikvision France

T +33(0)1-85-330-450
info.fr@hikvision.com

Hikvision Kazakhstan

T +7-727-9730667
nikia.panfilov@hikvision.ru

Hikvision Vietnam

T +84-974270888
sales.vt@hikvision.com

Hikvision UAE

T +971-4-4432090
salesme@hikvision.com

Hikvision Singapore

T +65-6684-4718
sg@hikvision.com

Hikvision Spain

T +34-91-737-16-55
info.es@hikvision.com

Hikvision Tashkent

T +99-87-1238-9438
uzb@hikvision.ru

Hikvision Hong Kong

T +852-2151-1761
info.hk@hikvision.com

Hikvision Russia

T +7-495-669-67-99
saleru@hikvision.com

Hikvision Korea

T +82-(0)31-731-8817
sales.korea@hikvision.com

Hikvision Poland

T +48-22-460-01-50
info.pl@hikvision.com

Hikvision Indonesia

T +62-21-2933759
Sales.Indonesia@hikvision.com

Hikvision Colombia

sales.colombia@hikvision.com